



Scan for full manual

KT-2015 / KT-2015WM Quick Start Guide

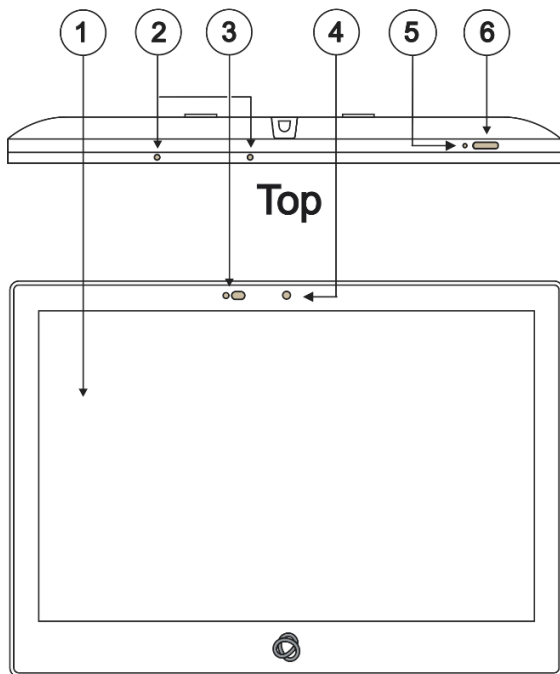
This guide helps you install and use your KT-2015 / KT-2015WM for the first time.

Go to www.kramerav.com/downloads/KT-2015 to download the latest user manual and check if firmware upgrades are available.

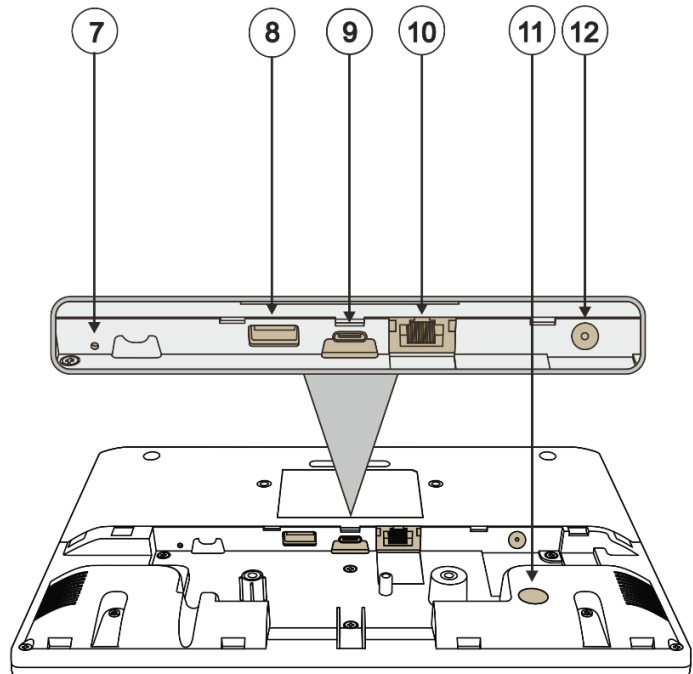
Step 1: Check what's in the box

KT-2015:	✓ 15" Touch Panel	✓ 1 Quick start guide	✓ Table stand	✓ VESA bracket	✓ Mounting accessories
KT-2015WM:	✓ 15" Touch Panel	✓ 1 Quick start guide	✓ Wall mount for UK, EU and USA one gang boxes	✓ Mounting accessories	

Step 2: Get to know your KT-2015 / KT-2015WM



Front



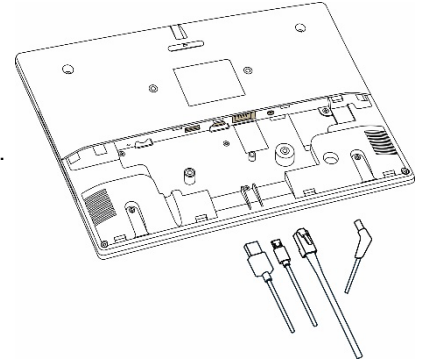
Back

#	Feature	Function
1	Display	Touch panel
2	Microphone	For audio communication, recording or conferencing.
3	Proximity Sensor	Automatically adjusts the screen brightness and camera according to the room lighting conditions.
4	Camera	For future use.
5	Reset	Located on the topside. Insert a pin and hold for a few seconds to restart.
6	Home Button	Press to wake up / darken the screen.
7	Restore Factory Reset Button	Insert a pin and hold for 22 seconds to reset the device to factory default values.
8	USB 3.0 Port	Multipurpose port for external connection.
9	USB Type-C Port	Multipurpose port for external connection.
10	LAN 1G(PoE) RJ-45 Port	Connect to the LAN for network communication. KT-2015 / KT-2015WM is powered by PoE (power over ethernet) delivered through the LAN port. Optionally, you can connect the power adapter too (as backup).
11	Kensington Lock	Anti-theft security slot for locking the device.
12	12V/2A DC Connector	Connect to the power adapter (optional, purchased separately).

Step 3: (option 1) Mount KT-2015 on a table

Mounting on the table stand

Important! Cables must be connected BEFORE mounting the touch pad on the stand.

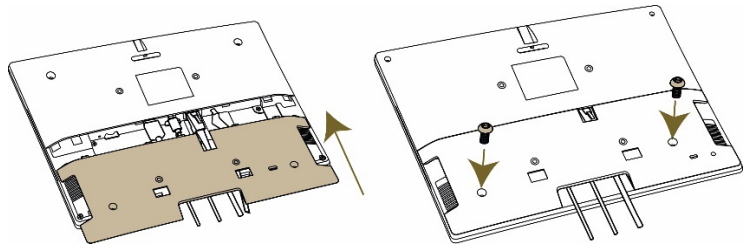


1. Connect any cables.

- Device will power on when PoE or DC is connected.

2. Install the I/O cover.

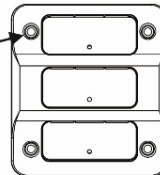
- Close with the M2*8 screws (qty 2).



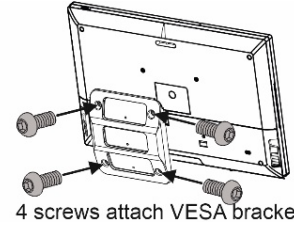
3. Attach the VESA bracket.

- Lay the KT-2015 face-down.
- Insert and tighten the 4 provided screws M4*8 (qty 4).

Screw holes for attaching to touch panel



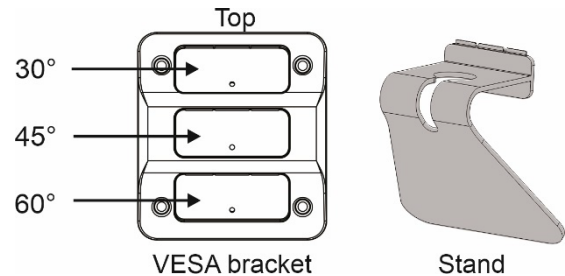
VESA bracket



4 screws attach VESA bracket

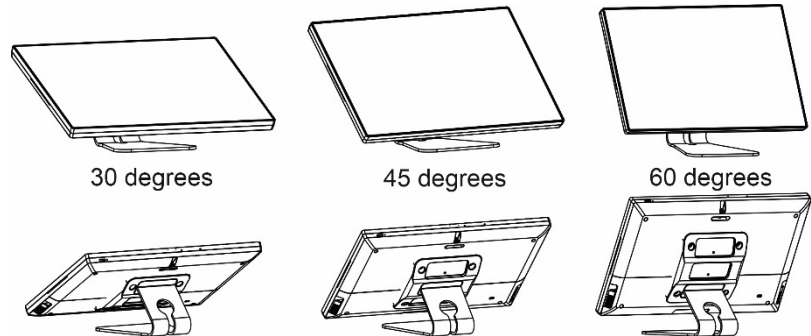
4. Insert the stand into the VESA bracket.

- The VESA bracket has 3 slots, each slot attaches the stand at a different angle:
The top slot is 30°, the middle 45° and the bottom 60°.
- Choose the slot you want to use (top, middle or bottom) and insert the stand.



VESA bracket

Stand



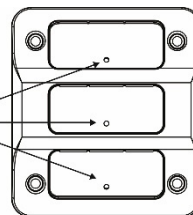
30 degrees

45 degrees

60 degrees

5. Insert and tighten the M4*8 flat screw (qty 1) that secures the stand to the VESA bracket.

Screw holes for securing the stand to the selected slot



VESA bracket



For optimum range and performance use the recommended Kramer cables available at www.kramerav.com/product/KT-2015.
Using third-party cables may cause damage!

Step 4: (option 2) Mount KT-2015WM on a wall

To mount the device on a one gang box:

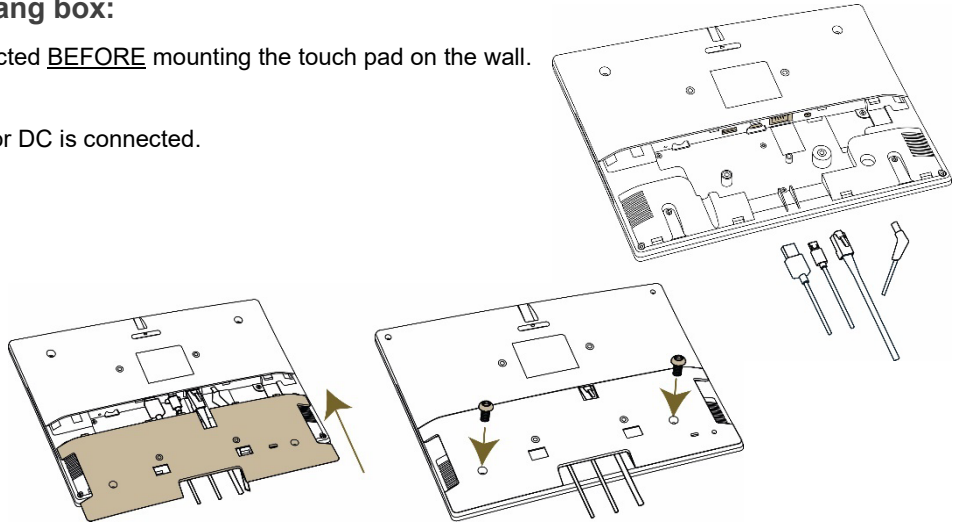
i Important! Cables must be connected BEFORE mounting the touch pad on the wall.

1. Connect any cables.

- Device will power on when PoE or DC is connected.

2. Install the I/O cover.

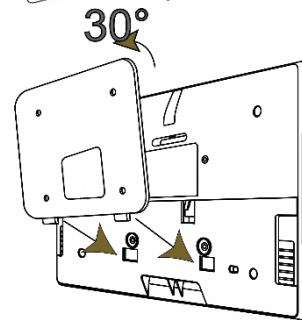
- Close with the M2*8 (qty 2) screws.



3. Click the wall bracket onto the back of the I/O cover.

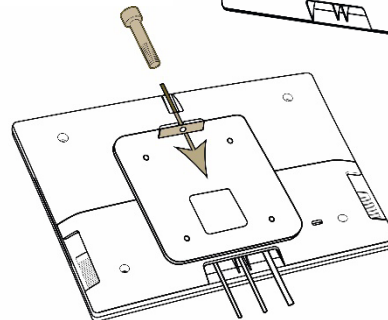
- Push the bracket into place while holding its top slightly outward.

Note: The bracket may look slightly different and have additional screw holes.



4. Secure the wall bracket to the touch panel cover.

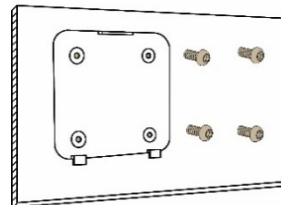
- Use the M3*15 (qty 1) screw.



To mount the device on a secured wall bracket:

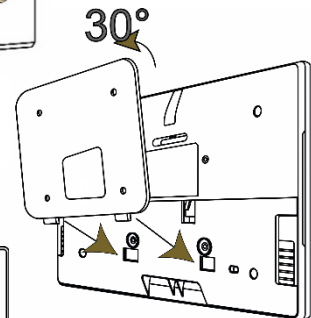
1. Mount the wall bracket on to the installation point.

- Screws not provided.
- The bracket may have additional screw holes not shown here.



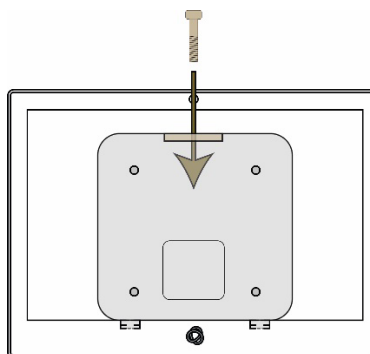
2. Connect the touch panel to the wall bracket.

- Push the touch panel into place while holding its top slightly outward.



3. Secure the touch panel to the wall bracket and back cover.

- Use the provided M3*15 (qty 1) screw.



i For optimum range and performance use the recommended Kramer cables available at www.kramerav.com/product/KT-2015.
Using third-party cables may cause damage!

Step 5: Connect to Power

KT-2015 and KT-2015WM are powered by PoE (Power over Ethernet). When accepting power from a PoE provider, there is no need to connect a DC power supply. If you do need an external power adapter, it can be purchased separately.

Connect the device to a LAN switch with PoE: The device starts automatically when power is connected.



Ensure that the environment (e.g., maximum ambient temperature & air flow) is compatible for the device.

Avoid uneven mechanical loading.

Appropriate consideration of equipment nameplate ratings should be used for avoiding overloading of the circuits.

Reliable earthing of rack-mounted equipment should be maintained.

Maximum mounting height for the device is 2 meters.

This equipment has been tested and found to comply with the limits for a Class A digital device, pursuant to Part 15 of the FCC Rules. These limits are designed to provide reasonable protection against harmful interference when the equipment is operated in a commercial environment. This equipment generates, uses, and can radiate radio frequency energy and, if not installed and used in accordance with the instruction manual, may cause harmful interference to radio communications. Operation of this equipment in a residential area is likely to cause harmful interference in which case the user will be required to correct the interference at his/her own expense.

Changes or modifications not expressly approved by the manufacturer could void the user's authority to operate the equipment.

This device complies with Part 15 of the FCC Rules. Operation of the device is subject to the following conditions:

This device may not cause harmful interference

This device must accept any interference received, including interference that may cause undesired operation

Recommendations for safe exposure to non-ionizing radiation: Only use the device at least 20 centimeters away from your body.

Step 6: Customize KT-2015 / KT-2015WM settings



KT-2015 and KT-2015WM are designed to operate with **Kramer Control**. Ideally, their operational characteristics should be defined before they are used. For more information please scan this code.




- By default, KT 2015 / KT 2015WM display the Kramer Agent interface that turns the touch panel into a controllable device interacting with Kramer Brain / Virtual Brain room control software. The Brain IP needs to be setup (see step 6).

The following setup steps are recommended before using your touch panel:


1. Exit the Kramer Agent:

- Swipe up from the Kramer logo to display the PIN entry pop-up, or click RESET PIN.
The default PIN is 9428. The bottom navigation bar will pop-up; Press the circle to access the Home screen.

2. Set the device's time and date:


- On the Home screen, press the **Settings** icon  and then select **Date & time > Time zone** and set the **Region**.

3. Setup the Ethernet or Wi-Fi connection:


- On the Home screen, press **Settings**  and select **Network & Internet > Wi-Fi** (or **Ethernet**).
For detailed information, see "Connecting to Wi-Fi or Ethernet" in the user manual at www.kramerav.com/product/KT-2015 (QR code).



4. (optional) Change the time of OS firmware updates:


- By default, the system checks for firmware updates at midnight: Updates are automatically downloaded and installed.
- To change FW update settings, in the **Settings**  screen select **Firmware update > Remote firmware update**.
 - Press the time to change the time. Clear the URL to prevent automatic updates (updates will be manual).

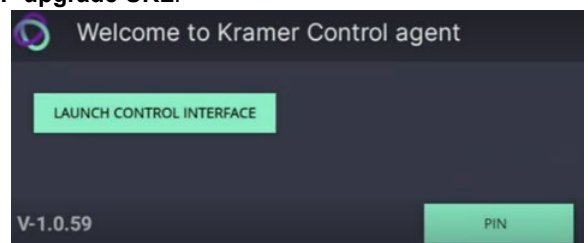
5. (optional) Change the time of Kramer Agent (APK) updates:

- By default, the system checks for Kramer Agent updates at midnight.
- To change APK update settings, open the **Settings**  screen and select **Remote APP upgrade URL**.
 - Press the time to change the time. Clear the URL to prevent automatic updates (updates will be manual).

Note: Factory resets delete the Kramer Agent but not the **Remote APP upgrade URL**.

6. Setup the Kramer Agent to display your Control Interface:

- If the Kramer Control Agent is not running, then on the touch panel's Home page, open the **Kramer Agent** app .
- Press **Launch Control Interface** and enter the IP address and port of the interface you defined in Kramer Brain, for example "https://<Brain-IP>:8001". The hardware section of the builder's Brain info contains the IP:port# of the Brain.



The touch panel's link to the Kramer Control interface can also be set up from a laptop browser on the network or from the Brain. For more information see the touch panel's user manual, in the Resources tab at www.kramerav.com/product/KT-2015 or scan the QR code.



Note: If you enter a "generic" URL such as www.google.com, the touch panel will display that page.

Specifications are subject to change without notice at www.kramerav.com